

# FC SERIES COMPACT CONTROLLER S (PROGRAMMABLE, STEP OUTPUT TYPE)

DATA SHEET

PNC2

The Compact Controller S (programmable type) is a compact single-loop controller using a microprocessor. It accepts uniform signal, and signals from thermocouple and RTD (Resistance bulb) as input, and is equipped with abundant control and computation functions to allow composing a flexible system with a high cost/performance.

## FEATURES

### 1. Abundant control and computation functions

The controller has a variety of control and computation functions in addition to PID auto tuning, and also has a transmission function for data exchange with a host system.

### 2. Control and computation programming can be made at the site

Since the control and computation functions are built into wafers (functional units), an optimum program for the control object can be formed just by keying on the front panel.

### 3. High reliability

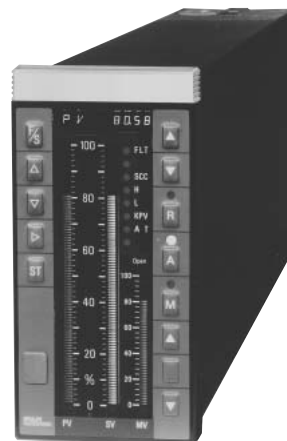
LED's (red and green) are used for the bargraph indicator and also for the parameter indication (red), and a non-volatile memory enables retaining the control and computation parameters even if power should be interrupted.

### 4. All operation is made from the front panel

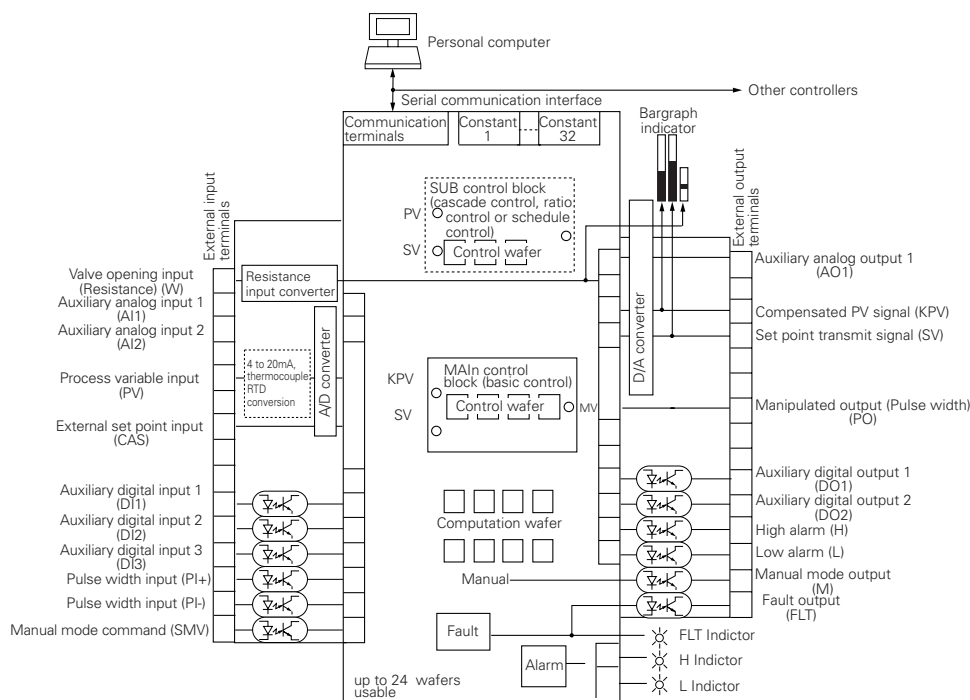
Operations such as parameter setting, auto/manual changeover are all made from the front panel.

### 5. Personal computer interface

Generic interface availability for personal computer (IBM PC-AT) for supervision, operation, support, maintenance, etc.



## FUNCTIONAL DIAGRAM



# SPECIFICATIONS

## 1. Control functions

(1) **PID control:** Proportional band (P); 1.0 to 3276.7%  
 Integration time (I); 0.1 to 3276.7 sec  
 Derivative time (D); 0.0 to 900.0 sec  
 PID auto tuning function (according to code specification)

### Wafer system program:

The following kinds of control are possible by combining wafers (functional units)

(Examples of control)

Cascade control, ratio control, program control, gain schedule control, etc.

### Type of alarms:

PV high/low alarm	Determined by wafer connection Alarms are indicated with front panel lights
PV change rate alarm	
DV high/low alarm	

**Control cycle:** 0.2 sec (24 wafer type)  
 0.4 sec (48 wafer type)

## 2. Computation functions

### (1) Wafer

The wafer is a functional unit software package containing control and computation functions needed for measurement and control. Combination of these wafers each having its own particular function enables composing a flexible system applicable to a wide range of control... from basic PID control up to complex advanced control. The PNC2 can accommodate up to 24/48 wafers. The following kinds of wafers are prepared to allow selection according to the control purpose.

- ① For control ..... PID control, ratio control, program control, gain scheduler, PID parameter setting
- ② For computation.. Various computations possible by combining the wafers given in Table 1

### (2) Internal input/output terminals

Various internal terminals are provided for external analog input/output, digital input/output and wafer connection.

### (3) Constants

Various parameters used in computation and control can be freely defined.

- ( 32 constants at 24 wafers )
- ( 48 constants at 48 wafers )

**Table 1 List of computation wafers**

Wafer name	Kinds	Functional outline
Logical operation	6	Carries out AND, OR, NOT, EOR and a combination of these logical operations.
Arithmetic operation	5	Carries out a combination of addition, subtraction, multiplication and division.
Temperature/pressure compensation	1	Carries out temperature and pressure compensation through use of differential pressure, compensated pressure, proper temperature.
Linearize	3	Carries out segmented-line approximation with 15-segmented-line function.
Program control	4	Time schedule control by step or polygonal line approximation with 7 segments.
Flip-flop	1	RS flip-flop.
Pulse width integration	1	Adds the change of input at each basic cycle to the previous integrated value.
Selector	1	Compares two input values, and provides HIGH output (Large one), LOW output (Smaller one), and result of judgement on large/small.
Changeover	1	Selects input or output via a switch function. Analog hold circuit also provided.
Timer	1	Outputs on-delay, off-delay timer signal via start of input signal according to timer setting.
Absolute value/sign inversion	1	Carries out absolute value processing on input and outputs the result. Also judges the sign (Positive, negative) of input value and outputs the result.
Square root extraction	1	Extracts square root of input value and outputs the result. Low input cutoff function equipped.
Lead, lag	1	Carries out lead/lag operation on the input and outputs the results. Used as analog filter function and for various compensations.
Limiter	1	Limits the input within the range of high/low limit settings, and outputs the result. Also outputs high/low limit alarm signal.
Ramp function	2	Outputs signal which changes in ramp from toward target value at the set full scale time. There are two of these wafers...in minute unit and hour unit.
Analog averaging	1	Carries out sequential integration on input data, calculates the average value at each averaging time, and outputs the result.
Analog integration	1	Integrates the value obtained by multiplying the input data by a proportional constant, and outputs the result.
Pulse generation	1	Outputs a pulse at the set time interval.
Dead band	1	Adds dead band compensation to the input and outputs the result.
Pulse No. counter	1	Detects rise of pulse and counts the number of pulses.
Pulse No. output	1	Integrates the input signal and converts it to number of pulses for output.
Decoder	1	Decodes 2-bit pure binary input and outputs it to 4 terminals.
Moving average	2	Calculates moving average of input data and outputs the result.
Sample hold	1	Holds the input value according to sample signal (0/1) and continues the output.
Dead time	6	Usable for dead time compensation control etc. Data sampling can be done in 1 sec or 1 min units.
ON-OFF	1	Outputs ON-OFF signal with hysteresis versus the input.
Alarm	1	Compares the input and set value and outputs the judgement result.
Position type pulse width conversion	1	Performs output processing in time proportional PID control.

A variety of applications are possible through combination of wafers.

### 3. Input signals

(1) Process variable input signal: One input selectable from the following

Voltage input signal	I <sub>+</sub> I <sub>0</sub> I <sub>-</sub>	1 to 5V DC	Input resistance 1MΩ or more Allowable error ±0.2%/FS*
Current input signal		4 to 20mA DC	24V DC can be supplied to transmitter in case of AC power supply Allowable error ±0.2%/FS
Thermocouple input		Types J : 0 to 600°C K : 0 to 1200°C E : 0 to 800°C R : 0 to 1600°C	10mV DC span or more; reference junction compensating function built in Allowable error ±0.5%/FS
Resistance bulb input		Pt100Ω (0°C) -50 to 500°C	50°C span or more Allowable error ±0.5%/FS

(2) Analog input signal: 3 points

External set point	CAS	1 to 5V DC	Input resistance 1MΩ or more, allowable error ±0.2%/FS
Aux. analog input	AI1		
Aux. analog input	AI2		

CAS is usable as aux. analog input.

(3) Digital input signal: 4 points

Manual mode command	SMV	Contact input (Photocoupler isolation)	ON 0V, OFF 24V (Input current about 11mA/24V DC)
Aux. digital input	DI1		
Aux. digital input	DI2		
Aux. digital input	DI3		

(4) Pulse width input signal: 1 set

Pulse width input signal	PI <sub>+</sub> , PI <sub>-</sub>	Contact input (Photocoupler isolation)	ON 0V, OFF 24V (Input current : about 11mA/24V DC)
--------------------------	-----------------------------------	--	--

(5) Valve opening input

Signal of valve opening input	W <sub>+</sub>	0 to 1.5kΩ potentiometer or 1 to 5V DC input resistance 1MΩ or more
	W <sub>0</sub>	
	W <sub>-</sub>	

### 4. Output signals

(1) Manipulated output signal: 1 set

Pulse width output	PO <sub>+</sub> PO <sub>-</sub>	Open collector output (Photocoupler isolation)	Output rating 30V DC 0.1A max.
--------------------	------------------------------------	--	--------------------------------

(2) Analog output signal: 3 points

Compensated PV signal	KPV	1 to 5V DC	Output resistance 1Ω or less, allowable error ±0.2%/FS
Set point transmit signal	SV		
Aux. analog output	AO1		

KPV and SV is usable as aux. analog output.

(3) Digital output signal: 6 points

Fault output	FLT	Open collector output (Photocoupler isolation)	Output rating 30V DC 0.1A max.
Manual mode output	M		
High alarm output	H		
Low alarm output	L		
Aux. digital output	DO1		
Aux. digital output	DO2		

H and L are usable as aux. digital output.

Note: \*FS.....full scale

### 5. Internal uniform data conversion

(1) Analog data

Standard	Minimum	Maximum
0.00 to 100.00%	-327.6%	327.67%

(2) Digital data

Input/output form	Data
ON (Contact closed)	0.01%
OFF (Contact open)	0.00%

### 6. Indication, setting, operation functions

(1) Bargraph indication

Indication method	PV indicator	SV indicator	MV indicator
Indication method	LED (Red)	LED (Green)	LED (Red)
No. of segments	101 + 2	101 + 2	51 + 2
Range	0 to 100% linear	0 to 100% linear	0 to 100% linear
Resolution	1%/FS	1%/FS	2%/FS
Scale length	100mm	100mm	50mm
Indication mode	0 to 100% bargraph indication, 0 to 100% reverse bargraph indication, dot indication, -50 to 50% deviation indication		

(2) Operation mode indication

Indication method:

LED (Red and green)  
Red; M, SCC  
Green; A, R

(3) Numerical indication, setting

Indication method:

LED (Red), name in 3 digits+number in 5 digits (Negative sign included)

Indication contents:

Process variable (Engineering unit), set point (Engineering unit), high/low alarm values, PID parameters etc.  
Indication contents are selectable by  $\boxed{F/S}$ ,  $\boxed{\Delta}$ ,  $\boxed{\nabla}$  keys on front panel.

Setting method:

By use of  $\boxed{F/S}$ ,  $\boxed{\Delta}$ ,  $\boxed{\nabla}$ ,  $\boxed{\triangleright}$ ,  $\boxed{ST}$  keys on front panel.

(4) SV setting function

Fixed value setting method:

By  $\boxed{\blacktriangle}$   $\boxed{\blacktriangledown}$  buttons on front panel.  
Setting speed; about 40 sec/FS

Remote setting method:

By external set point signal (Voltage or pulse width input)

(5) MV operating function

Manual operating method:

By  $\boxed{\blacktriangle}$ ,  $\boxed{\blacktriangledown}$  buttons on front panel.

(6) Operation mode changeover

By R/A/M pushbuttons on front panel.

R → A changeover		Balanceless bumpless
A → R changeover	Voltage signal	Balance bumpless
	Pulse width input	Balanceless bumpless
A or R ↔ M changeover		Balanceless bumpless

\*FS ..... full scale

### 7. Power failure processing function

**Power failure detection:**

Control stoppage at power failure detection

**During power failure:**

Operating parameters backed up by capacitor when power failure within 5 minutes.

Initial set point and manipulated output values, PID parameters etc. are stored in nonvolatile memory (lasts for 10 years or longer at ambient temperature of 50°C or less).

**Power failure recovery time:**

Initial or continuous start settable for power failure within 5 minutes. Recovery from power failure lasting longer than 5 minutes is done by initial.

\*Control mode at initialization is settable.

- M: Manual mode
- A: Automatic mode
- R: Remote mode
- SCC: SCC mode

### 8. Self-diagnosis functions

**Computation/control circuit abnormality:**

FLT indicator lights up, FLT contact output turns ON, and computation and control stop.

Manipulated output can be controlled manually at FLT (Soft manual).

**Input/output signal abnormality, manipulated output disconnection:**

FLT indicator lights up, FLT contact output turns ON, control stops, and manipulated output is held. Computation processing and output processing other than for manipulated output continue.

**Fault contents indication:**

Cause of fault is indicated numerically on numerical indicator of front panel.

### 9. Transmission functions

**(1) Transmission items**

**Supervisory items:**

From PNA to host  
 Process variable, set point, manipulated output, deviation, operation mode, alarm information, fault information, PID parameters, various limiter values, constants, segmented line, analog input/output, digital input/output, control program (Wafer connecting information) etc.

**Setting operation items:**

From host to PNA  
 Set point, manipulated output, operation mode, PID parameters, various limiter values, constants, segmented line, control program (Wafer connecting information) etc.

**(2) Transmission setting inhibit:**

Parameter setting enable/inhibit can be designated by transmission from the host. Designation is done by **[F/S]**,

**[△]**, **[▽]**, **[▷]**, **[ST]** keys on the front panel.

**(3) Transmission interface**

CC data line or RS-422 interface selectable

① **CC data line:** Connected with transmission controller (PMN)

**Interface:** PMN and PNC; CC data line (RS-232C for PMN and host)

**Transmission speed:** 19.2 KBPS

**No. of units connectable:** 15 max.

**Transmission distance:** 500m max.

**Transmission form:** Multi-drop

**Cord format:** 12 bit binary

② **RS-422:** Universal interface

**Transmission speed:** 2400, 4800, 9600 or 19200 BPS configurable

**No. of units connectable:** 31 max.

**Transmission distance:** 1km max.

**Code format:** One or two stop bits, parity EVEN/ODD/NONE configurable.

### 10. Other functions

Data protective function by means of pass code

## CODE SYMBOLS

1 2 3 4 5 6 7 8 9 10 11 12		Description															
P	N	C	2					5	-							<b>Process variable input signal</b> 1 to 5V DC (Approx. 24V DC supply) 4 to 20mA DC J thermocouple } 10mV DC span or more, with reference junction compensating function K thermocouple } E thermocouple } R thermocouple } Resistance bulb JPt100Ω (0°C) 3-wire type, 50°C span or more Resistance bulb Pt100Ω (0°C) 3-wire type, 50°C span or more	
A																	
B																	
C																	
D																	
E																	
F																	
G																	
W																	
A																	<b>Setting method</b> A-M type R-A-M type
B																	
1																	<b>Power supply</b> 24V DC (20 to 30V DC) 110V AC (85 to 132V AC) 50/60Hz 220V AC (187 to 264V AC) 50/60Hz
2																	
3																	
1																<b>Valve opening input</b> 1 to 5V DC 10-100-10Ω	
2																	
R																<b>Transmission function</b> RS-422 CC data line	
C																	
0																<b>Wafer connection</b> Without With	
1																	
Y																<b>PID auto tuning function</b> Without With	
A																	

Note: Symbols of resistance bulbs are as follows.  
 JPt100 ..... JIS C 1604-1981  
 Pt100 ..... IEC Pub751-1983

## 11. Operating conditions

**Power supply:** Selectable from the following 3 types  
 24V DC (20 to 30V DC), 100V AC (85 to 132V/47 to 63Hz AC), 200V AC (187 to 264V/47 to 63Hz AC)

**Power consumption:**  
 Approx. 12W (DC), 20VA (AC)

**Dielectric strength:**  
 1500V AC for 1 minute

**Insulation resistance:**  
 100MΩ or more at 500V DC

**Ambient temperature:**  
 0 to 50°C

**Ambient humidity:**  
 90%RH or less

**Enclosure:** Steel case

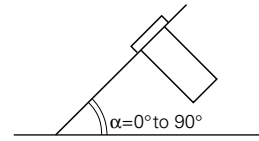
**Enclosure class:** Front IP65 (IEC 529)

**Nameplate:** 100(H) x 70(W), white acrylic

**Dimensions:** 144(H) x 72(W) x 391(D)mm, IEC (DIN) standards

**Mass{weight}:** Approx. 2.9kg

**Mounting method:**  
 Flush on indoor panel; vertical mounting is standard  
 Mounting on tilted surface possible (Angle  $\alpha$ )



**Finish color:** Munsell N1.5 for front panel and case

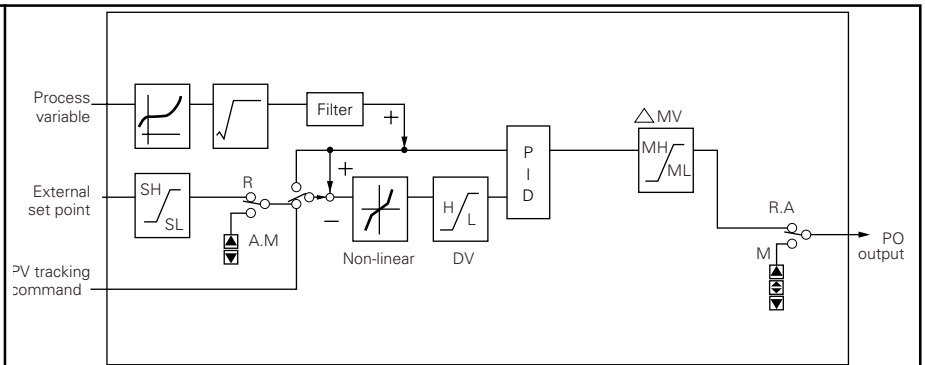
**Range of delivery:** Controller and mounting bracket

**Item prepared separately:**  
 Transmission cable (Type PNZ)

## VARIOUS CONTROL EXAMPLES

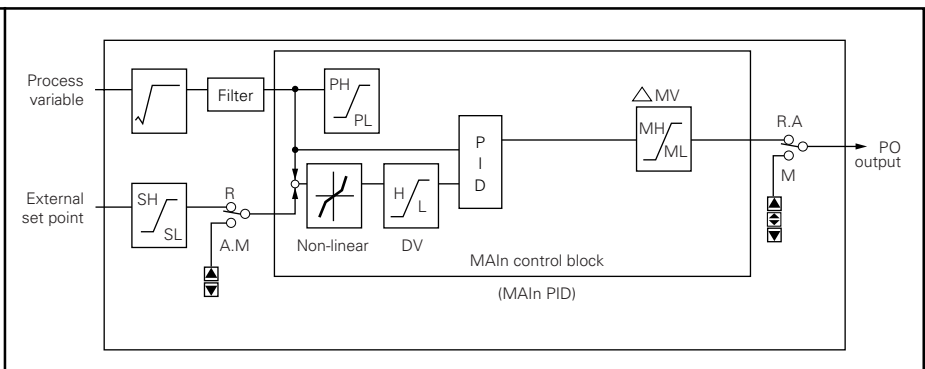
### Basic type PID V control (Fixed function)

This is a PID control function which is fixedly defined beforehand. The definition can be made through simple operation, and wafer connection is unnecessary. (Computation elements such as square root, filter, limiter, non-linear etc. can be made valid or invalid through specification.)



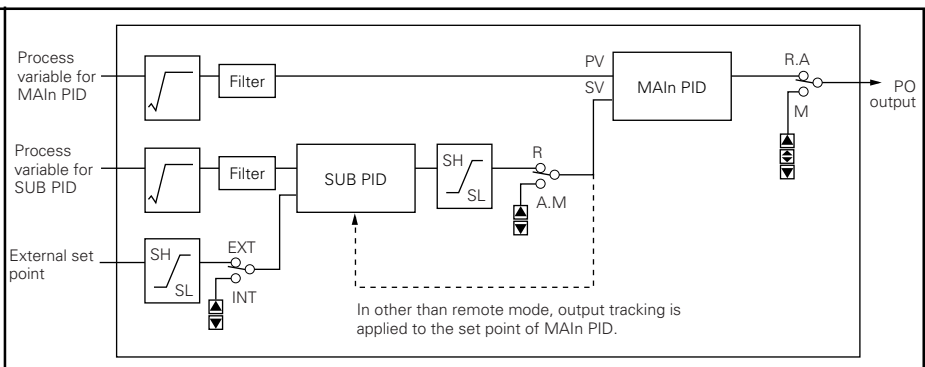
### PID control

Fixed value control is carried out by using only the MAIn control block. PID control by means of an external set point is also performed. (Computation elements such as square root, filter, limiter, non-linear etc. can be made valid or invalid through specification.)



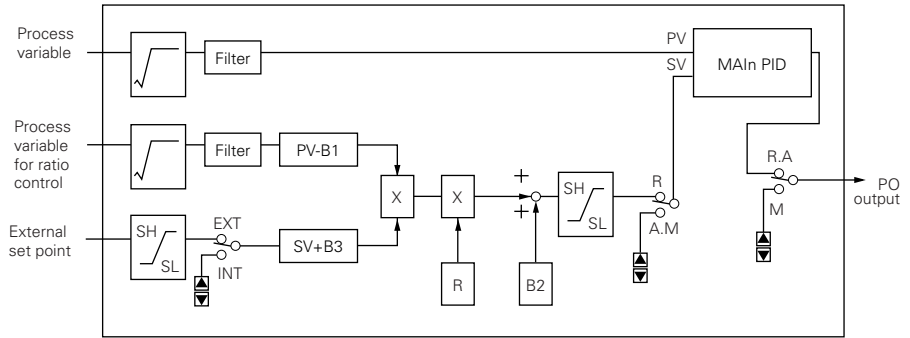
### Cascade control

Cascade control is carried out by combining two PID control blocks. By having the output of the SUB PID controller follow up the set point of the MAIn PID controller, A and R can be changed over balancelessly.



**Ratio control**

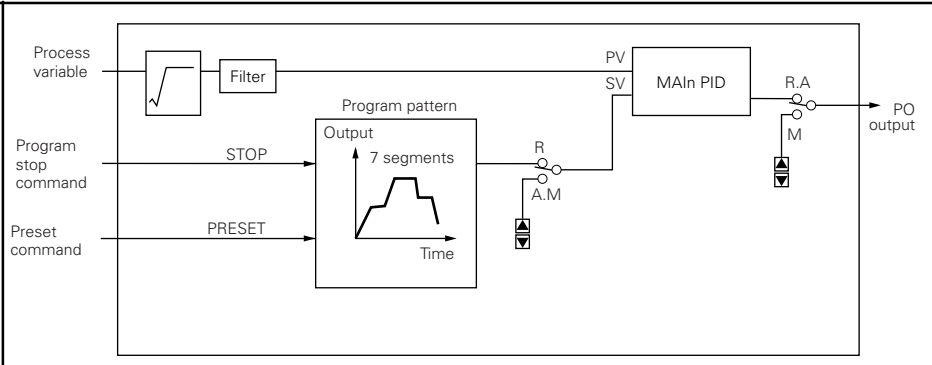
Ratio control is carried out by combining a ratio computation block and a PID control block.



**Program control**

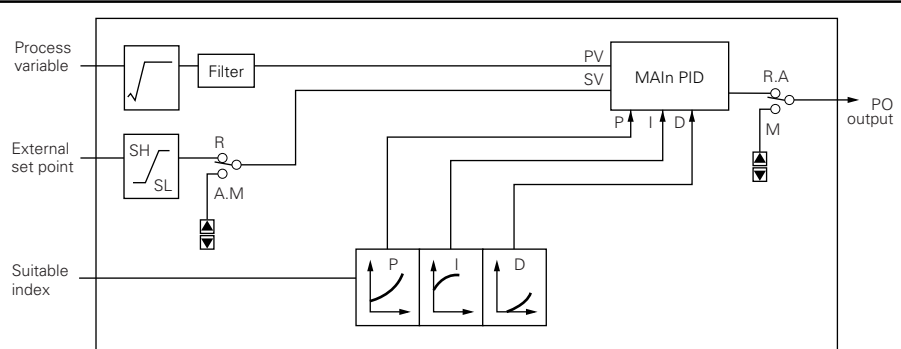
By combining a program setting block and a PID control block, the set point is changed and controlled via a time function.

A preset function is also provided for starting program control from the present temperature in a furnace for control of heating or the like.



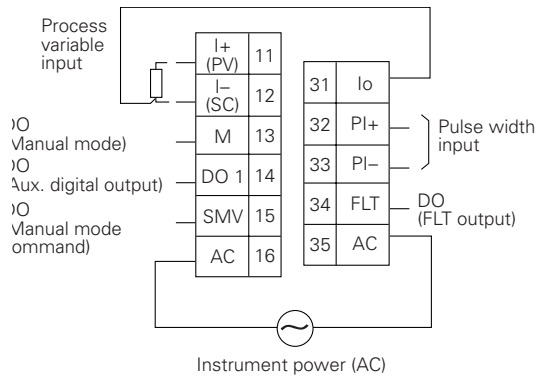
**Gain schedule control**

Carries out PID control according to three (3) exponential PID parameter patterns, which are stored in the form of 7 segmented polygonal lines.



# EXTERNAL CONNECTION DIAGRAM

Block terminals (M4 screw)



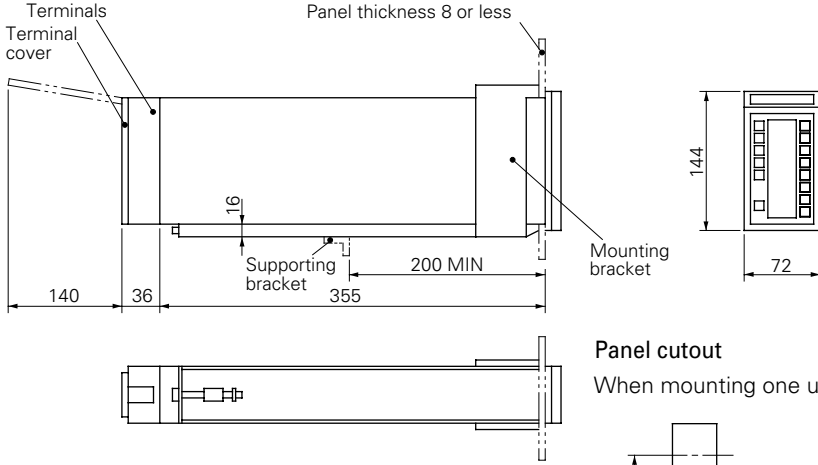
AO (Compensated PV signal)	KPV	51	71	CAS	AI (External set point input)
AO (Set point transmit signal)	SV	52	72	AI 1	AI (Aux. analog input)
AO (Aux. analog output)	AO 1	53	73	AI 2	AI (Aux. analog input)
WO (Bulb opening input)	WO	54	74	W+	W+ (Bulb opening input)
WO (Bulb opening input)	WO	54	74	W-	W- (Bulb opening input)
Common line	SC	55	75	SC	AI, AO (Common line)
PO (Pulse width output)	PO+	56	76	SC	AI, AO (Common line)
	PO-	57	77	DO 2	DO (Aux. digital output)
DO (High alarm output)	H	58	78	DI 3	DI (Aux. digital input)
DO (Low alarm output)	L	59	79	DI 2	DI (Aux. digital input)
Instrument power (DC 24V)	PC*	60	80	DI 1	DI (Aux. digital input)
24V power for DI, DO.	PCD	61	81	VP*	± Instrument power (DC 24V)
	G	62	82	VPD	± 24V power for DI, DO

Note \* Symbols for AC power supply are VPO, PCO. Output is 24V DC (0.1A max.) approx.

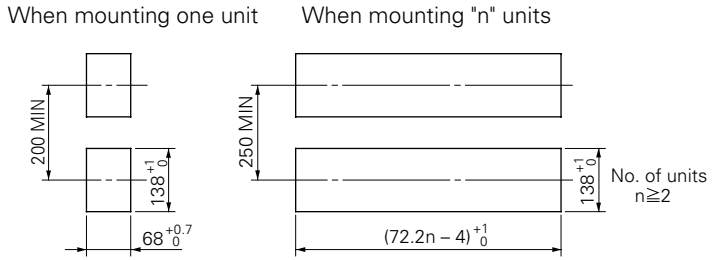
## TERMINAL CONNECTION OF PV INPUT

DC 1 to 5V (Code symbol "A" in 5th digit)		Thermocouple (Code symbol "C", "D", "E", "F" in 5th digit)	
DC 4 to 20mA (Code symbol "B" in 5th digit)		Resistance bulb (Code symbol "G", in 5th digit)	
DC 4 to 20mA power supply (Code symbol "B" in 5th digit)			

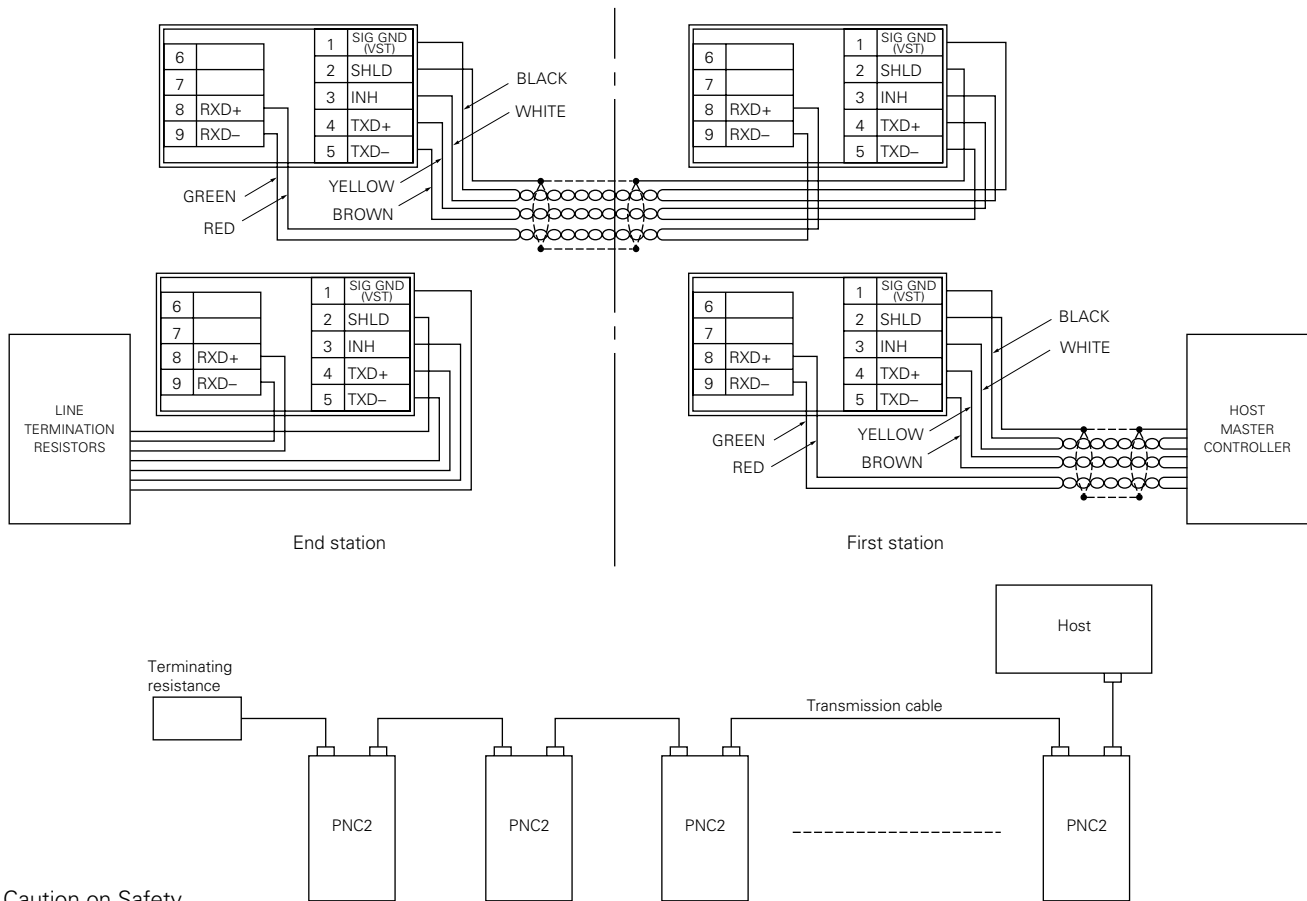
### OUTLINE DIAGRAM (Unit:mm)



#### Panel cutout



### TRANSMISSION CONNECTOR



⚠ Caution on Safety

\*Before using this product, be sure to read its instruction manual in advance.

## Fuji Electric Systems Co.,Ltd.

### Head Office

6-17, Sanbancho, Chiyoda-ku, Tokyo 102-0075, Japan  
<http://www.fesys.co.jp/eng>

### Sales Div.

### International Sales Dept.

No.1, Fuji-machi, Hino-city, Tokyo, 191-8502 Japan  
 Phone: 81-42-585-6201, 6202 Fax: 81-42-585-6187  
<http://www.fic-net.jp/eng>